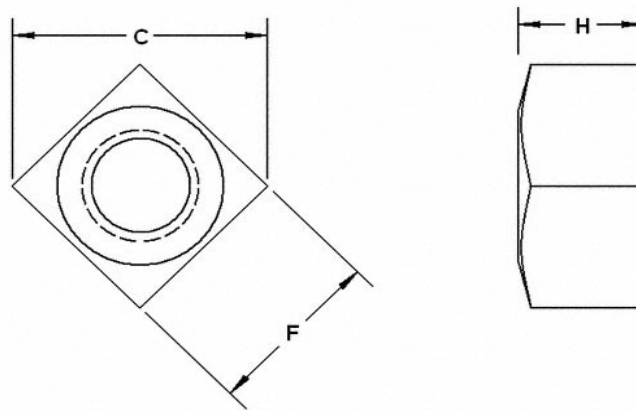




TRANSHOW INDUSTRY LIMITED

GAOYANG RD, ZHOZHAN VILLAGE, JIANGSHAN TOWN
 YINZHOU DISTRICT, NINGBO CITY, 315100 CHINA
 Tel: +86-574-8736.7873 Fax: +86-574-8736.4349
www.transhow.net Email: transhow@transhow.net

ANSI B18.2.2 SQUARE NUT



Nominal Size	F			C		H		
	Width Across Flats			Width Across Corners		Thickness		
	Basic	Max	Min	Max	Min	Basic	Max	Min
3/8	5/8	0.625	0.606	0.884	0.802	21/64	0.346	0.310
1/2	13/16	0.812	0.788	1.149	1.052	7/16	0.458	0.418
5/8	1	1.000	0.969	1.414	1.300	35/64	0.569	0.525
3/4	1-1/8	1.125	1.088	1.591	1.464	21/32	0.680	0.632
7/8	1-5/16	1.312	1.269	1.856	1.712	49/64	0.792	0.740
1	1-1/2	1.500	1.450	2.121	1.961	7/8	0.903	0.847
1-1/8	1-11/16	1.688	1.631	2.386	2.209	1	1.030	0.970
1-1/4	1-7/8	1.875	1.812	2.652	2.458	1-3/32	1.126	1.062
1-3/8	2-1/16	2.062	1.994	2.917	2.708	1-13/64	1.237	1.169
1-1/2	2-1/4	2.250	2.175	3.182	2.956	1-5/16	1.348	1.276
Dimensions per ASME B18.2.2 1987 (1999)								