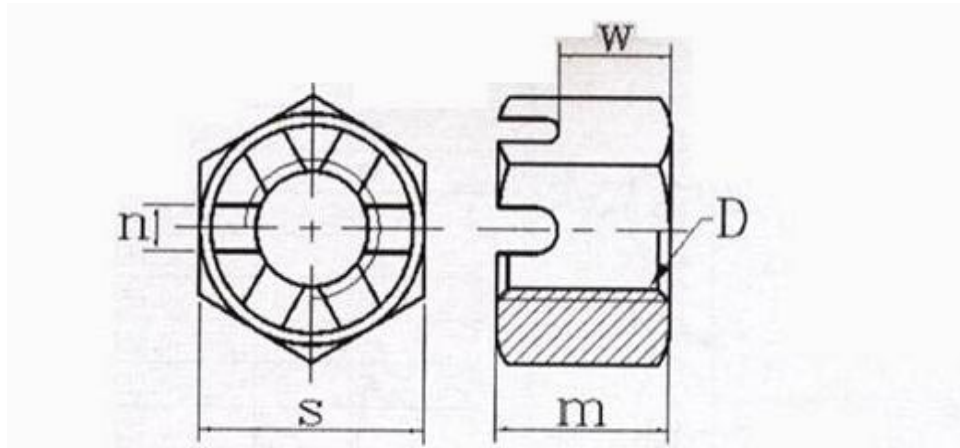




# TRANSHOW INDUSTRY LIMITED

GAOYANG RD, ZHOULAN VILLAGE, JIANGSHAN TOWN  
 YINZHOU DISTRICT, NINGBO CITY, 315100 CHINA  
 Tel: +86-574-8736.7873 Fax: +86-574-8736.4349  
[www.transhow.net](http://www.transhow.net) Email: [transhow@transhow.net](mailto:transhow@transhow.net)

## ANSI B18.2.4.3M Metric Hex Slotted Nut



D	m		n		s		w	
	max	min	max	min	max	min	max	min
M5*0.8	5.1	4.8	2	1.4	8	7.78	3.2	2.9
M6*1	5.7	5.4	2.4	1.8	10	9.78	3.5	3.2
M8*1.25	7.5	7.14	2.9	2.3	13	12.73	4.4	4.1
M10*1.5	9.3	8.94	3.4	2.8	16	15.73	5.2	4.9
M12*1.75	12	11.57	4	3.2	18	17.73	7.3	6.9
M14*2	14.1	13.4	4.3	3.5	21	20.67	8.6	8
M16*2	16.4	15.7	5.3	4.5	24	23.67	9.9	9.3
M20*2.5	20.3	19	5.7	4.5	30	29.16	13.3	12.2
M24*3	23.9	22.6	6.7	5.5	36	35	15.4	14.3
M30*3.5	28.6	27.3	8.5	7	46	45	18.1	16.8
M36*4	34.7	33.1	8.5	7	55	53.8	23.7	22.4