



**TRANSHOW**

## TRANSHOW INDUSTRY LIMITED

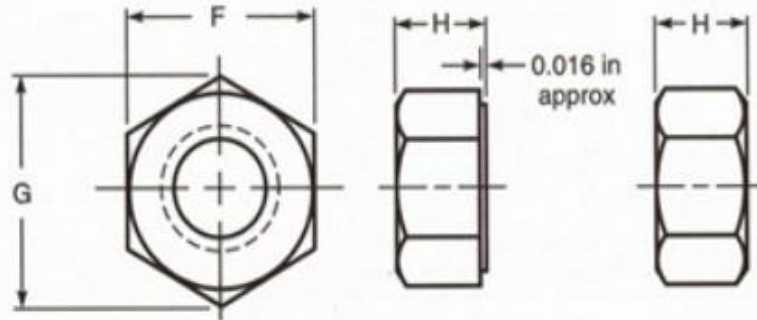
GAOYANG RD, ZHOUEAN VILLAGE, JIANGSHAN TOWN

YINZHOU DISTRICT, NINGBO CITY, 315100 CHINA

Tel: +86-574-8736.7873 Fax: +86-574-8736.4349

[Http://www.hexnuts.cn](http://www.hexnuts.cn) [Email:transhow@transhow.net](mailto:transhow@transhow.net)

# ANSI/ASME Heavy Hex Nut



Size	Across Flat/F			Across Coner/G		Height		
	Basic	Max	Min	Max	Min	Basic	Max	Min
3/8	11/16	0.688	0.669	0.794	0.763	23/64	0.377	0.341
1/2	7/8	0.875	0.850	1.010	0.969	31/64	0.504	0.464
5/8	1-1/16	1.062	1.031	1.227	1.175	39/64	0.631	0.587
3/4	1-1/4	1.250	1.212	1.443	1.382	47/64	0.758	0.710
7/8	1-7/16	1.438	1.394	1.660	1.589	55/64	0.885	0.833
1	1-5/8	1.625	1.575	1.876	1.796	63/64	1.012	0.956
1-1/8	1-13/16	1.812	1.756	2.093	2.002	1-7/64	1.139	1.079
1-1/4	2	2.000	1.938	2.309	2.209	1-7/32	1.251	1.187
1-3/8	2-3/16	2.188	2.119	2.526	2.416	1-11/32	1.378	1.310
1-1/2	2-3/8	2.375	2.300	2.742	2.622	1-15/32	1.505	1.433
1-5/8	2-9/16	2.562	2.481	2.959	2.828	1-19/32	1.632	1.556
1-3/4	2-3/4	2.750	2.662	3.175	3.035	1-23/32	1.759	1.679
1-7/8	2-15/16	2.938	2.844	3.392	3.242	1-27/32	1.886	1.802
2	3-1/8	3.125	3.025	3.608	3.449	1-31/32	2.013	1.925