



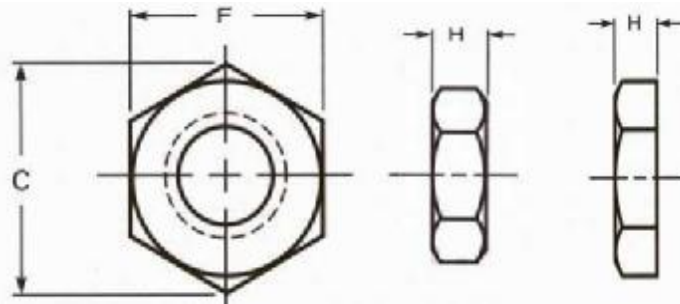
# TRANSHOW INDUSTRY LIMITED

GAOYANG RD, ZHOULAN VILLAGE, JIANGSHAN TOWN  
YINZHOU DISTRICT, NINGBO CITY, 315100 CHINA

Tel: +86-574-8736.7873 Fax: +86-574-8736.4349

[Http://www.hexnuts.cn](http://www.hexnuts.cn) Email: [transhow@transhow.net](mailto:transhow@transhow.net)

## HEX JAM NUT-INCH SERIES ANSI B18.2.2



Nominal Size	F			C		H		
	Width Across Flats			Width Across Corners		Thickness		
	Basic	Max	Min	Max	Min	Basic	Max	Min
3/8	11/16	0.688	0.669	0.794	0.763	15/64	0.252	0.216
1/2	7/8	0.875	0.850	1.010	0.969	19/64	0.317	0.277
5/8	1-1/16	1.062	1.031	1.227	1.175	23/64	0.381	0.337
3/4	1-1/4	1.250	1.212	1.443	1.382	27/64	0.446	0.398
7/8	1-7/16	1.438	1.394	1.660	1.589	31/64	0.510	0.458
1	1-5/8	1.625	1.575	1.876	1.796	35/64	0.575	0.519
1-1/8	1-13/16	1.812	1.756	2.093	2.002	39/64	0.639	0.579
1-1/4	2	2.000	1.938	2.309	2.209	23/32	0.751	0.687
1-3/8	2-13/16	2.188	2.119	2.526	2.416	25/32	0.815	0.747
1-1/2	2-3/8	2.375	2.300	2.742	2.622	27/32	0.880	0.808
1-5/8	2-9/16	2.562	2.481	2.959	2.828	29/32	0.944	0.868
1-3/4	2-3/4	2.750	2.662	3.175	3.035	31/32	1.009	0.929
1-7/8	2-15/16	2.938	2.844	3.392	3.242	1-1/32	1.073	0.989
2	3-1/8	3.125	3.025	3.608	3.449	1-3/32	1.138	1.050
2-1/4	3-1/2	3.500	3.388	4.041	3.862	1-13/64	1.251	1.155
2-1/2	3-7/8	3.875	3.750	4.474	4.275	1-29/64	1.505	1.401
2-3/4	4-1/4	4.250	4.112	4.907	4.688	1-37/64	1.634	1.522
3	4-5/8	4.625	4.475	5.340	5.102	1-45/64	1.763	1.643
3-1/4	5	5.000	4.838	5.774	5.515	1-13/16	1.876	1.748
3-1/2	5-3/8	5.375	5.200	6.207	5.928	1-15/16	2.006	1.870
3-3/4	5-3/4	5.750	5.562	6.640	6.341	2-1/16	2.134	1.990
4	6-1/8	6.125	5.925	7.073	6.755	2-3/16	2.264	2.112

Dimensions per ASME B18.2.2 1987 (R 1999)