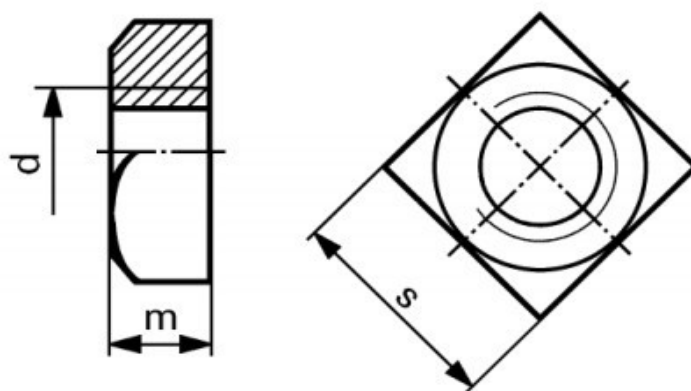




TRANSHOW INDUSTRY LIMITED

GAOYANG RD, ZHOUEAN VILLAGE, JIANGSHAN TOWN
 YINZHOU DISTRICT, NINGBO CITY, 315100 CHINA
 Tel: +86-574-8736.7873 Fax: +86-574-8736.4349
www.transhow.net Email: transhow@transhow.net

DIN557 SQUARE NUTS



d	s	m
		max.
quantity		
M		
5	8	4
6	10	5
8	13	6,5
10	17	8
12	19	10
16	24	13
20	30	16