

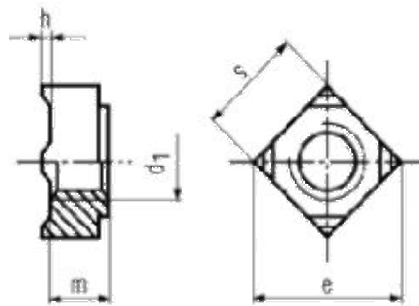


TRANSHOW INDUSTRY LIMITED

GAOYANG RD, ZHOUEAN VILLAGE, JIANGSHAN TOWN
 YINZHOU DISTRICT, NINGBO CITY, 315100 CHINA
 Tel: +86-574-8736.7873 Fax: +86-574-8736.4349

www.transhow.net Email: transhow@transhow.net

DIN928 SQUARE WELD NUT



d ₁	e min.	h ±0.1	m h14	s h14	Sheet Thickness		Proof Load N
					min.	max.	
M4	9	0.6	3.5	7	0.75	3.0	6,800
M5	12	0.8	4.2	9	0.88	3.5	11,000
M6	13	0.8	5.0	10	0.88	4.0	15,500
M8	18	1.0	6.5	14	1.00	4.5	28,300
M10	22	1.2	8.0	17	1.25	5.0	44,800
M12	25	1.4	9.5	19	1.50	5.0	65,300