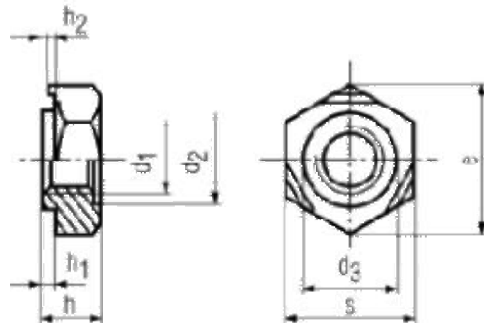




TRANSHOW INDUSTRY LIMITED

GAOYANG RD, ZHOUEAN VILLAGE, JIANGSHAN TOWN
 YINZHOU DISTRICT, NINGBO CITY, 315100 CHINA
 Tel: +86-574-8736.7873 Fax: +86-574-8736.4349
www.transhow.net Email: transhow@transhow.net

DIN929 HEX WELD NUT



d ₁	d ₂ H13	d ₃ d11	h ₁		h ₂		h h ₁₄	s h ₁₃	Sheet Thickness		Proof Load N
									Min	Max	
M3	4.5	4.5	0.55	0.00	0.25		3	7.5	0.63	2.6	3,800
M4	6	6	0.65	-0.10	0.35	0.00	3.5	9	0.75	3	6,800
M5	7	7	0.70		0.40	-0.10	4	10	0.88	3.5	11,000
M6	8	8	0.75	0.00	0.40		5	11	0.88	4	15,500
M8	10.5	10.5	0.90	-0.15	0.50	0.00	6.5	14	1	4.5	28,300
M10	12.5	12.5	1.15		0.65	-0.15	8	17	1.25	5	44,800
M12	14.8	14.8	1.40	0.00	0.80	0.00	10	19	1.5	5	65,300
M14	16.8	16.8	1.80	-0.20	1.00	-0.20	11	22	2	6	89,700
M16	18.8	18.8	1.80		1.00		13	24	2	6	123,000