



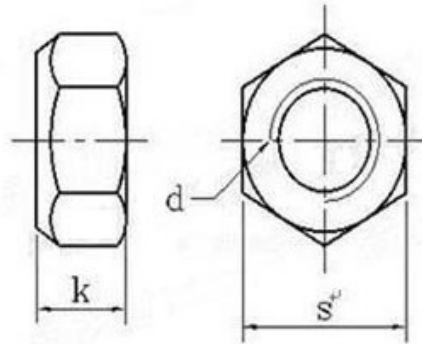
## TRANSHOW INDUSTRY LIMITED

GAOYANG RD, ZHOUSHAN VILLAGE, JIANGSHAN TOWN  
YINZHOU DISTRICT, NINGBO CITY, 315100 CHINA

Tel: +86-574-8736.7873 Fax: +86-574-8736.4349

[www.transhow.net](http://www.transhow.net) Email: [transhow@transhow.net](mailto:transhow@transhow.net)

### DIN980v All Metal Prevailing Torque Hex Lock Nut



Dimensions in mm

| Size<br>d | Thread P | k    |       | s   |       |
|-----------|----------|------|-------|-----|-------|
|           |          | max  | min   | max | min   |
| M5        | 0.8      | 5.1  | 4.8   | 8   | 7.78  |
| M6        | 1        | 6    | 5.4   | 10  | 9.78  |
| M8        | 1.25     | 8    | 7.14  | 13  | 12.73 |
| M10       | 1.5      | 10   | 8.94  | 16  | 15.73 |
| M12       | 1.75     | 12   | 11.57 | 18  | 17.73 |
| M14       | 2        | 14.1 | 13.4  | 21  | 20.67 |
| M16       | 2        | 16.4 | 15.7  | 24  | 23.67 |
| M20       | 2.5      | 20.3 | 19    | 30  | 29.16 |
| M24       | 3        | 23.9 | 22.6  | 36  | 35    |
| M30       | 3.5      | 30   | 27.3  | 46  | 45    |
| M36       | 4        | 36   | 33.1  | 55  | 53.8  |