



TRANSHOW

# TRANSHOW INDUSTRY LIMITED

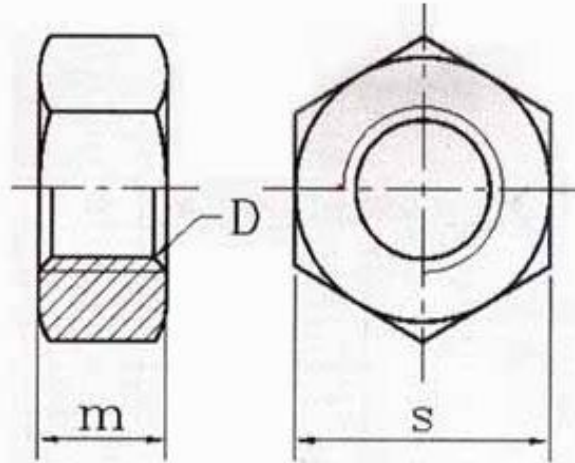
GAOYANG RD, ZHOULAN VILLAGE, JIANGSHAN TOWN

YINZHOU DISTRICT, NINGBO CITY, 315100 CHINA

Tel: +86-574-8736.7873 Fax: +86-574-8736.4349

Http://www.hexnuts.cn Email:transhow@transhow.net

## DIN 555 Hexagon Nuts



D	P	m		s	
		max	min	max	min
M5	0.8	4.6	3.4	8	7.64
M6	1	5.6	4.4	10	9.64
M8	1.25	7.25	5.75	13	12.57
M10	1.5	8.75	7.25	17	16.57
M12	1.75	10.75	9.25	19	18.48
M16	2	13.9	12.1	24	23.16
M20	2.5	16.9	15.1	30	29.16
M22	2.5	18.9	17.1	32	31
M24	3	20.05	17.95	36	35
M27	3	23.05	20.95	41	40
M30	3.5	25.05	22.95	46	45
M33	3.5	27.05	24.95	50	49
M36	4	30.05	27.95	55	53.8

D	P	m		s	
		max	min	max	min
M39	4	32.25	29.75	60	58.8
M42	4.5	35.25	32.75	65	63.1
M45	4.5	37.25	34.75	70	68.1
M48	5	39.25	36.75	75	73.1
M52	5	43.25	40.75	80	78.1
M56	5.5	46.25	43.75	85	82.8
M60	6	49.25	46.75	90	87.8
M64	6	52.5	49.5	95	92.8
M72	6	59.5	56.5	105	102.8
M80	6	65.5	62.5	115	112.8
M90	6	73.5	70.5	130	127.5
M100	6	81.5	78.5	145	142.5