

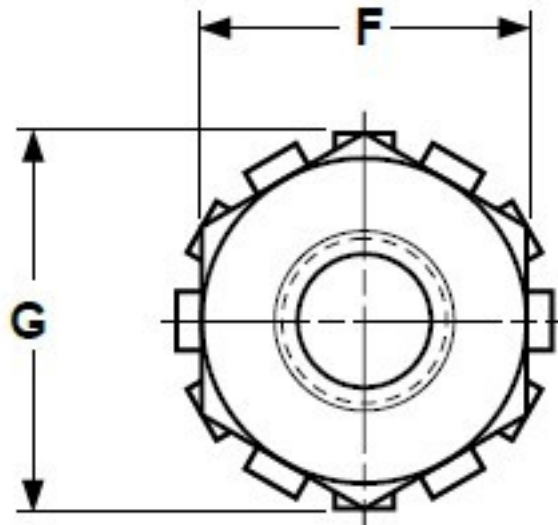
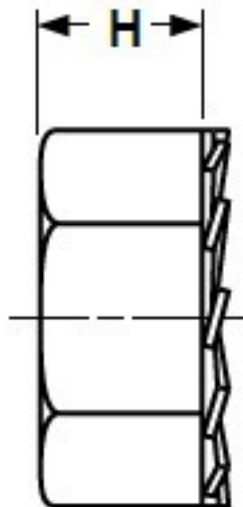
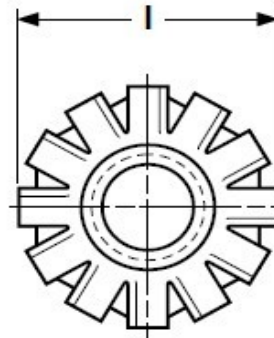


TRANSHOW INDUSTRY LIMITED

GAOYANG RD, ZHOULAN VILLAGE, JIANGSHAN TOWN
 YINZHOU DISTRICT, NINGBO CITY, 315100 CHINA
 Tel: +86-574-8736.7873 Fax: +86-574-8736.4349
 www.transhow.net Email: transhow@transhow.net

K Lock Nut (Keps Nut)

Fine/Coarse Thread



K Lock NUTS										
Nominal Size or Basic Thread Diameter		F			G		H		I	
		Width Across Flats			Width Across Corners		Thickness		Washer Diameter	
		Basic	Max	Min	Max	Min	Max	Min	Max	Min
4	0.1120	1/4	0.250	0.241	0.289	0.275	0.098	0.087	0.286	0.277
5	0.1250	5/16	0.312	0.302	0.361	0.344	0.114	0.102	0.348	0.338
6	0.1380	5/16	0.312	0.302	0.361	0.344	0.114	0.102	0.348	0.338
6 SP	0.1380	1/4	0.250	0.241	0.289	.0275	0.098	0.087	0.287	0.277
8	0.1640	11/32	0.344	0.332	0.397	0.378	0.130	0.117	0.381	0.370
8 SP	0.1640	5/16	0.312	0.302	0.361	0.344	0.114	0.102	0.348	0.338
10	0.1900	3/8	0.375	0.362	0.433	0.413	0.130	0.117	0.406	0.395
12	0.2160	7/16	0.438	0.423	0.505	0.482	0.161	0.148	0.506	0.494
1/4	0.2500	7/16	0.438	0.423	0.505	0.482	0.193	0.178	0.506	0.494
5/16	0.3125	1/2	0.500	0.489	0.577	0.557	0.273	0.258	0.592	0.579
3/8	0.3750	9/16	0.562	0.551	0.650	0.628	0.385	0.365	0.665	0.651
1/2	0.5000	3/4	0.750	0.736	0.866	.840	0.437	0.425	0.898	0.878